



Technical comercial data

M.N-16 T.E-16

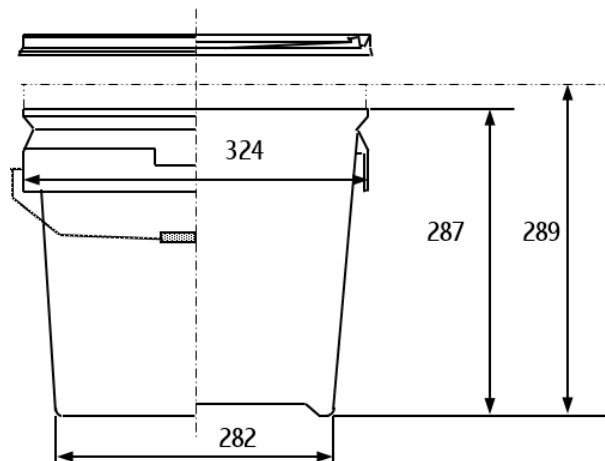
Serie MASTER NOVA – Versión 24-01-2024

TECHNICAL DATA:

| | |
|-------------------------------------|---|
| Material: | PP copolymer of first quality, suitable for contact with food according to current regulations. |
| Colours: | White standard. Consult for other colours. |
| Useful Volume: | 16 litres |
| Volume to the edge: | 19 litres |
| Weight of the bucket: | 600 g. approx. |
| Weight of the lid: | 168 g. approx. |
| Weight of the handle: - metal: | 55 g. approx. |
| - plástico: | 3 g. approx. |
| Total Weight: | 826 g. approx. |
| Decorative surface flat inks: | 190 x 911 mm (height x perimeter) |
| Design surface photographic finish: | 210 x 930 mm (height x perimeter) |



MEASUREMENTS:



Measurements in millimetres

GROUPING OF TRANSPORT:

| | |
|--------------------|---|
| Buckets: | 360 buckets per pallet |
| Pallet dimensions: | 1325 x 1000 x 2250 (see drawing) |
| Lids: | 60 lids per bag, this serves as a packaging of transportation |
| Bag dimension: | ∅ 324 x 910 |

